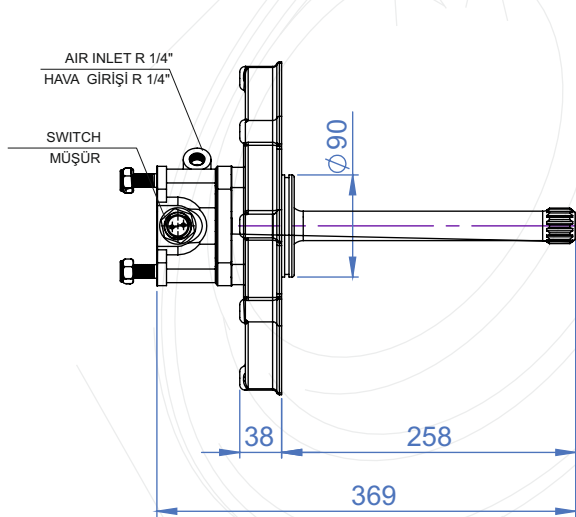
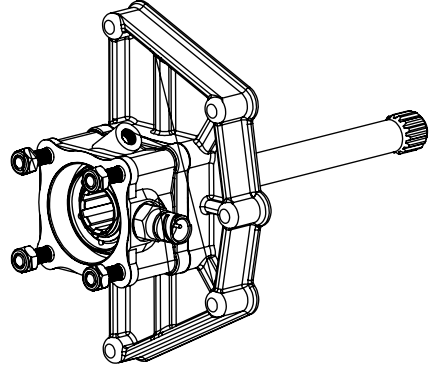
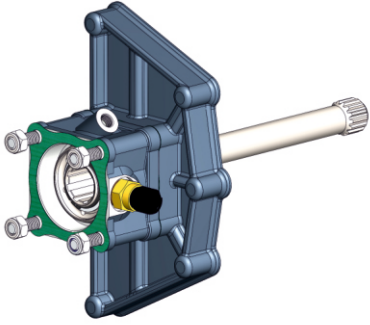
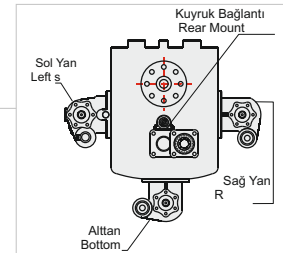
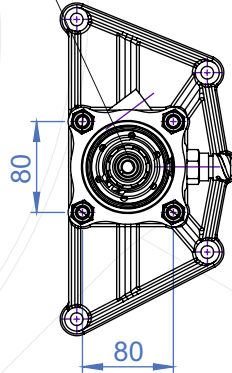


ZF-1 / TRAXON 12TX SENSOR

50240322P1



DIN 5462 8x32x35



GENEL BİLGİLER/GENERAL DATA

P.T.O. KODU / P.T.O. CODE	50240322P1	
Tork / Torque	Kgm	310 Nm
Güç(1000 rpm) / Power	Hp	31 kW
Dev Speed	rpm	1000 rpm
Oran / Rat	1/1,2	1/1,2
Ağırlık / We	. kg	. lb
Bağlantı / Mount	Kuyruk	Rear
Kumanda / Control	Havalı	Pneumat
Dönüş / P.T.O. Rotat	Sağ - ISO	R

Ana Şanzıman / Gearbox	Kullanılan Bazı Araçlar / Used Veh
12TX-1410 /1610 /1810 /2010 /2210 /2420 /2620 /2820 TD/16.69-1.0 12TX-1610 /1810/2010 /2210 /2410 /2610 /2820 /3020 /3220 /3420 TO/12.92-0.77 16TX-1640 /1840 /2040/2240 /2440 /2640 /2840 TD/17.94-1.0 16TX-1840 /2040 /2240 /2440 /2640 /2840 /3040/3240 /3440 TO/14.68-0.82	FORD 1848