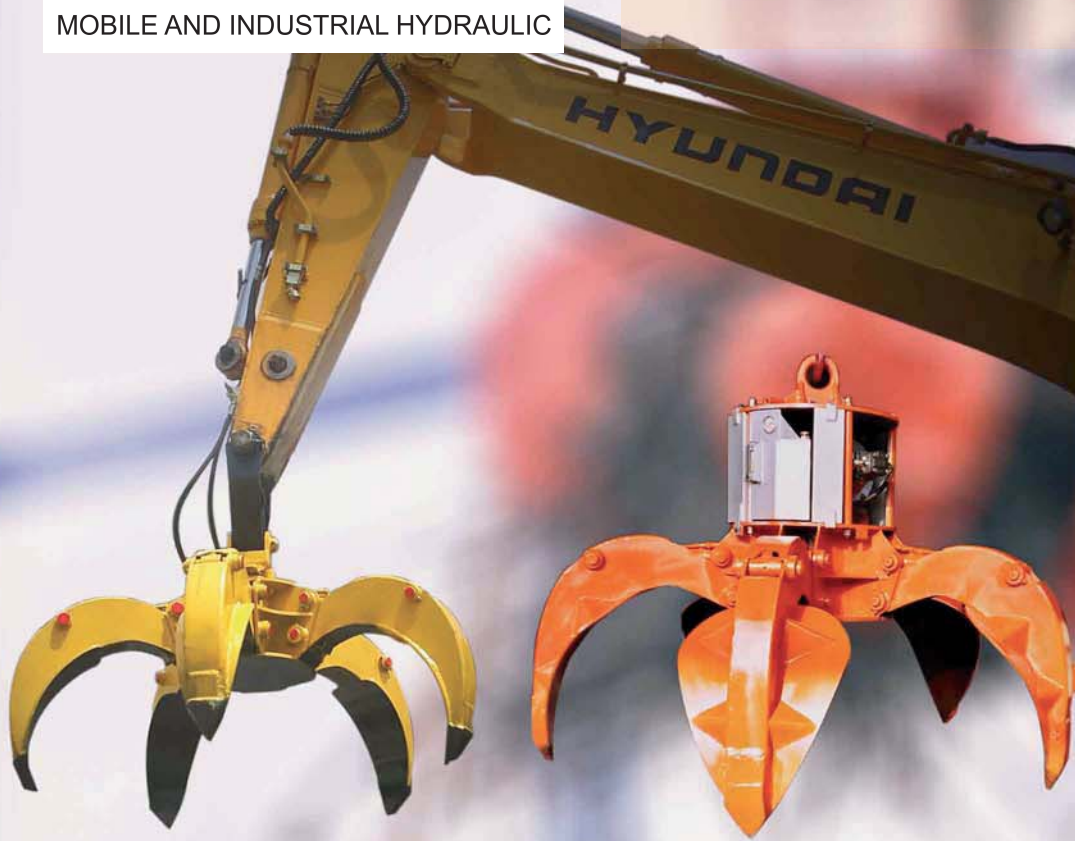




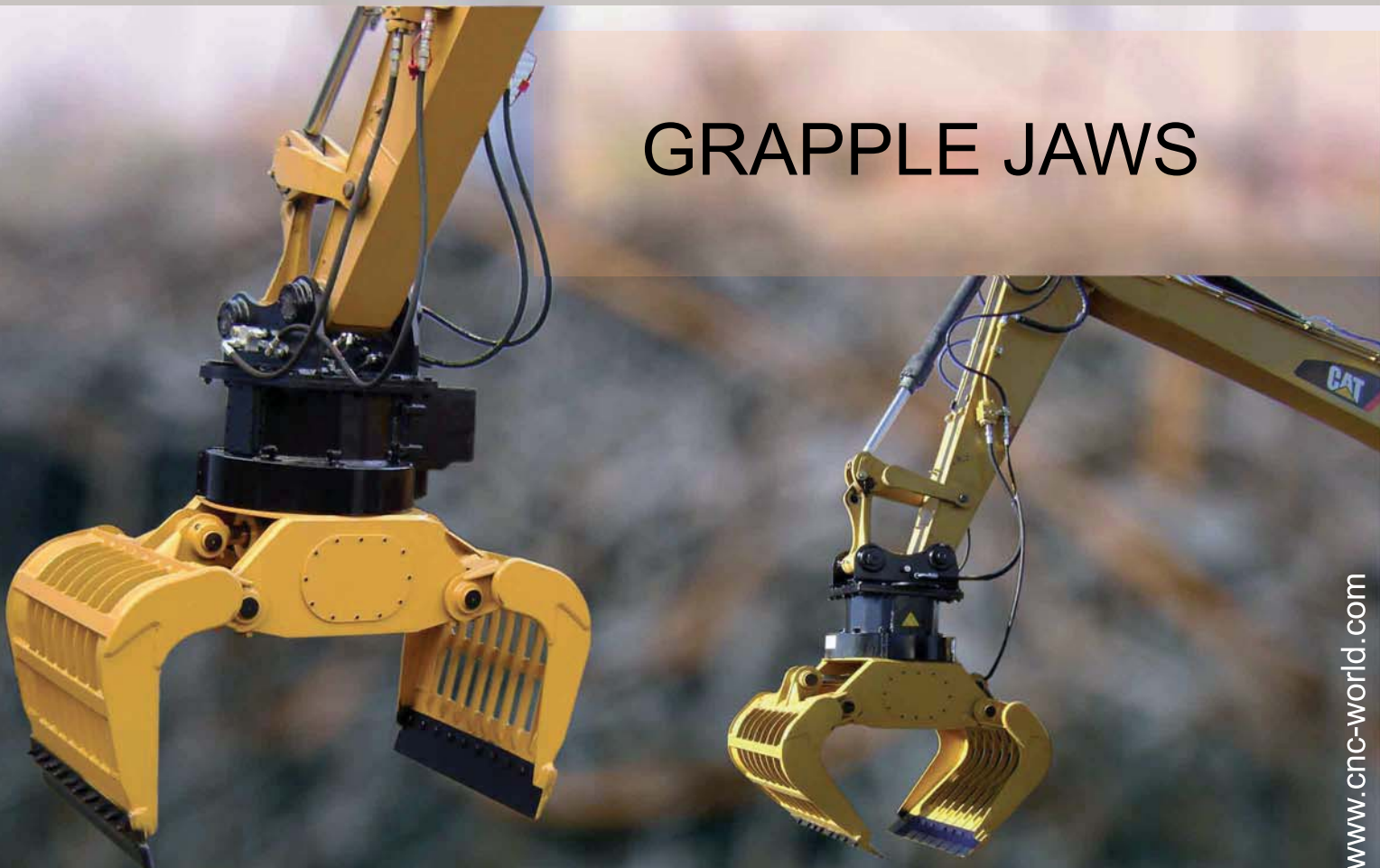
MOBILE AND INDUSTRIAL HYDRAULIC

SCRAP GRAPPLES



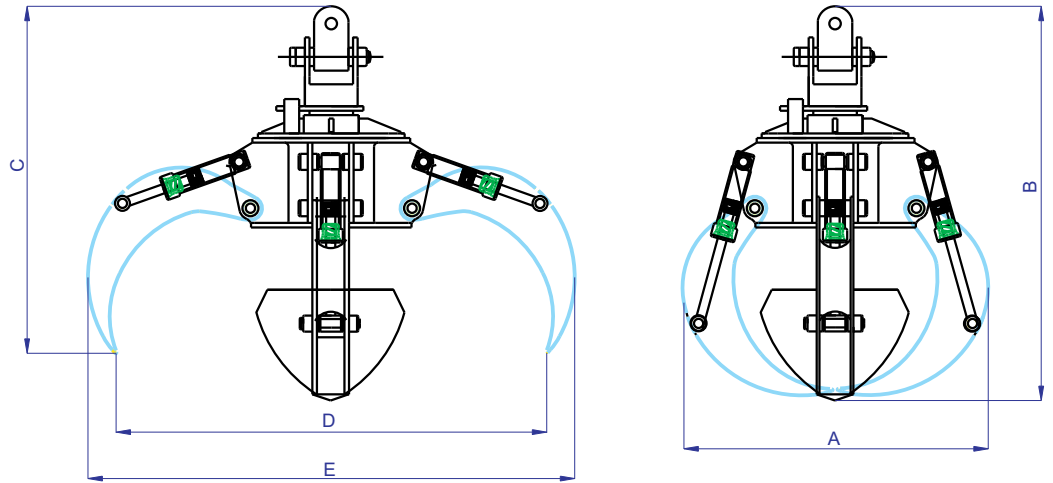
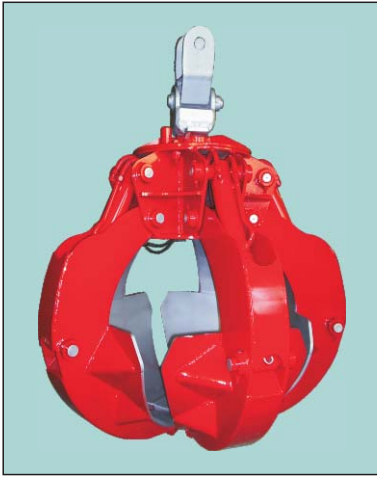
180lt-270lt-320lt-380lt-500lt

GRAPPLE JAWS



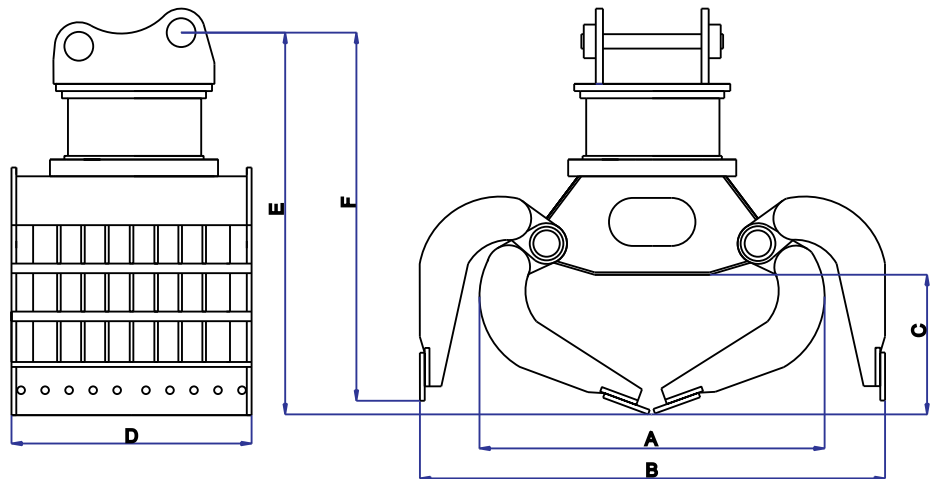
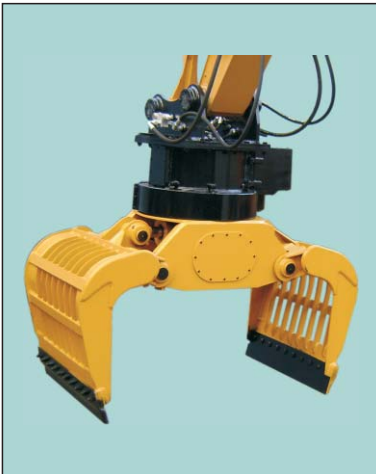
370lt-400lt-550lt-600lt-750lt-800lt

GRAPPLE



PRODUCT CODE	WEIGHT (Kg)	WORKING PRESSURE (BAR)	A (mm)	B (mm)	C (mm)	D (mm)	E (mm)	CAPACITY (LITRE)	POWER TYPE
CNC4KM	438	220	110	125	85	150	160	180	HYDRAULIC
CNC 5KM	500	220	110	125	85	150	160	180	HYDRAULIC
CNC4KO	550	220	120	140	100	170	185	270	HYDRAULIC
CNC5KO	630	220	120	140	100	170	185	270	HYDRAULIC
CNC4KB	700	220	125	145	105	175	190	320	HYDRAULIC
CNC5KB	780	220	125	145	105	175	190	320	HYDRAULIC
CNC5KG	972	220	130	185	110	180	190	380	ELECTRICAL
CNC5KGX	1200	220	140	160	140	210	230	500	ELECTRICAL

GRAPPLE JAW



PRODUCT CODE	WEIGHT (Kg)	WORKING PRESSURE (BAR)	A (mm)	B (mm)	C (mm)	D (mm)	E (mm)	F (mm)	GRAPPLE FORCE (kN)	CAPACITY (LITRE)
CNC G40T	970	250	1240	1800	510	850	1435	1345	35	370
CNC G37T	990	250	1220	1800	510	850	1435	1345	35	400
CNC G60T	1305	250	1350	2000	565	1000	1520	1450	49	600
CNC G55T	1335	250	1370	2000	565	1000	1520	1450	49	550
CNC G80T	1985	250	1520	2200	630	1100	1730	1620	68	800
CNC G75T	1990	250	1545	2200	630	1100	1730	1620	68	750