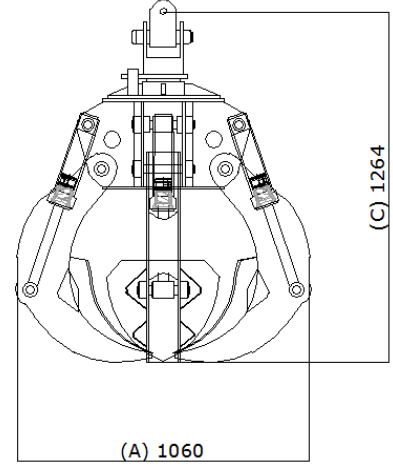
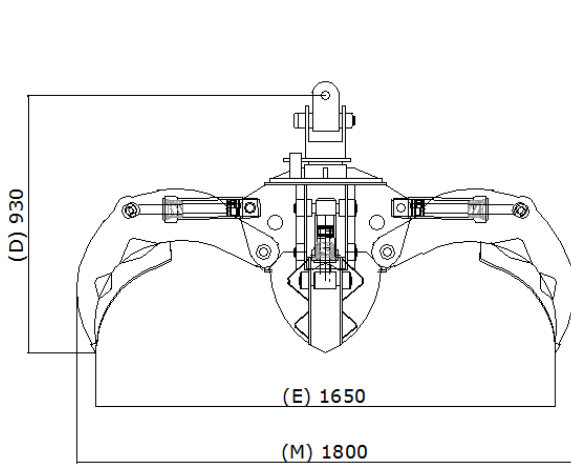




www.cnc-world.com

**CNC**  
MOBILE AND INDUSTRIAL HYDRAULIC



MODEL	Ağırlık Weight KG	Hacim Capacity LT	Working Pressure Max Bar	A	C	D	E	M
<b>MHM5</b>	<b>500</b>	<b>300</b>	<b>220</b>	<b>1060</b>	<b>1264</b>	<b>930</b>	<b>1650</b>	<b>1800</b>

#### Teknik Özellikler / Technical Data

Kapasite / Capacity	300 Lt
Ağırlık / Gross Weight	500 Kg
Çalışma / Working Principle	Hydraulic
Basınç / Working Pressure	220 Bar
K. Basınç / Closing	220 Bar
Rotatör / Rotation	270°
Tırnak Adedi / Tines	6
Yapraklar / Wearing Plates	Hardox 450 (Optional ST 52)