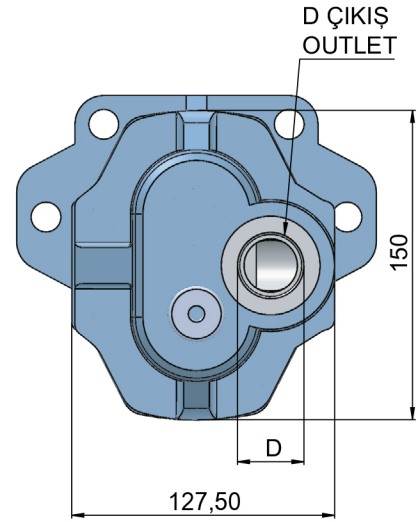
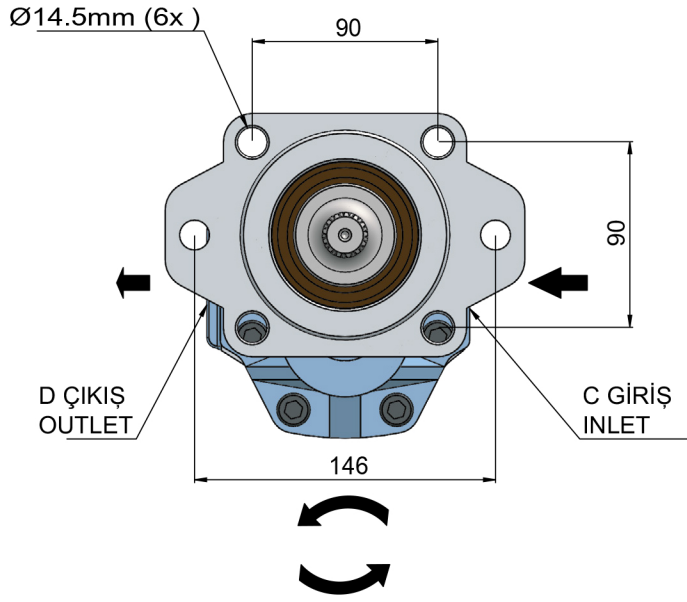
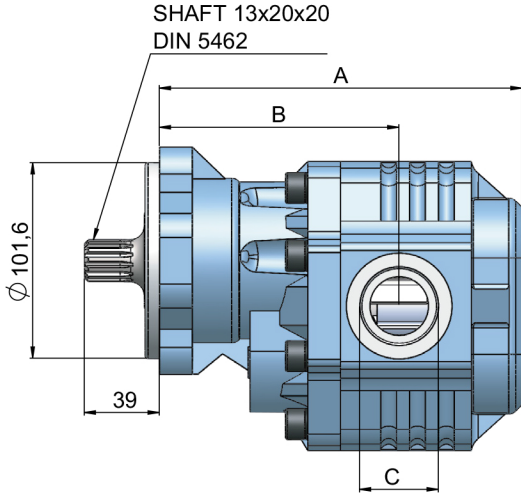


30 SAE B SERİSİ ÇİFT DÖNÜŞLÜ

30 SAE B SERIES BI-ROTATIONAL



CODE KOD	ROTATION YÖN	DISPLACEMENT DEBİ (Lt/min)	A (mm)	B (mm)	INLET GİRİŞ (B)	OUTLET ÇIKIŞ (C)	Max. Continuous Pressure Max. Sürekli Basınç (Pnom)	Max. Peak Pressure Max. Pik Basınç (Pmax)
PDCS300340873	BI-ROTATIONAL-ÇİFT	34	199	146	R3/4"-14	R3/4"-14	250	280
PDCS300430873	BI-ROTATIONAL-ÇİFT	43	207	149			240	270
PDCS300510873	BI-ROTATIONAL-ÇİFT	51	210	151	R1"-14	R1"-14	220	250
PDCS300610873	BI-ROTATIONAL-ÇİFT	61	216	152			210	240
PDCS300820873	BI-ROTATIONAL-ÇİFT	82	226	161			180	220